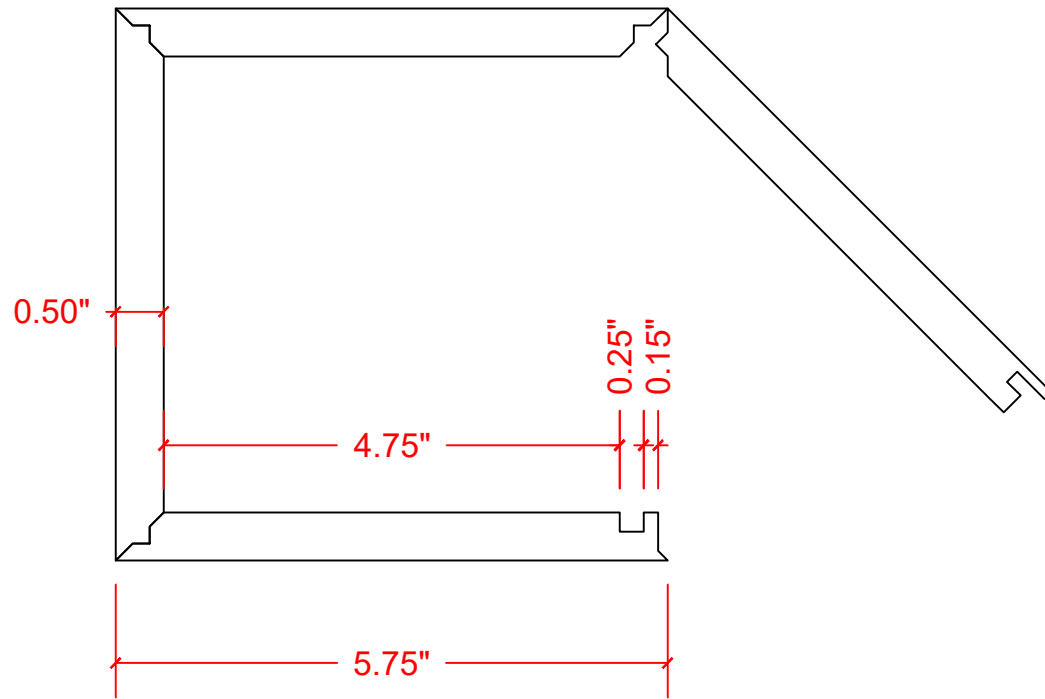


# VERSATEX®

TRIM BOARD

AVAILABLE IN 10" AND 10' LENGTHS

TRIM **SMARTER.**



VERSATEX Building Products, LLC  
www.versatex.com  
724.857.1111

NOMINAL 4 X 4 VERSAWRAP  
ACCENT WRAP

Scale: 6"=1' ACTUAL INSIDE  
4-3/4" X 4-3/4"

Part No. VWAW040410/120