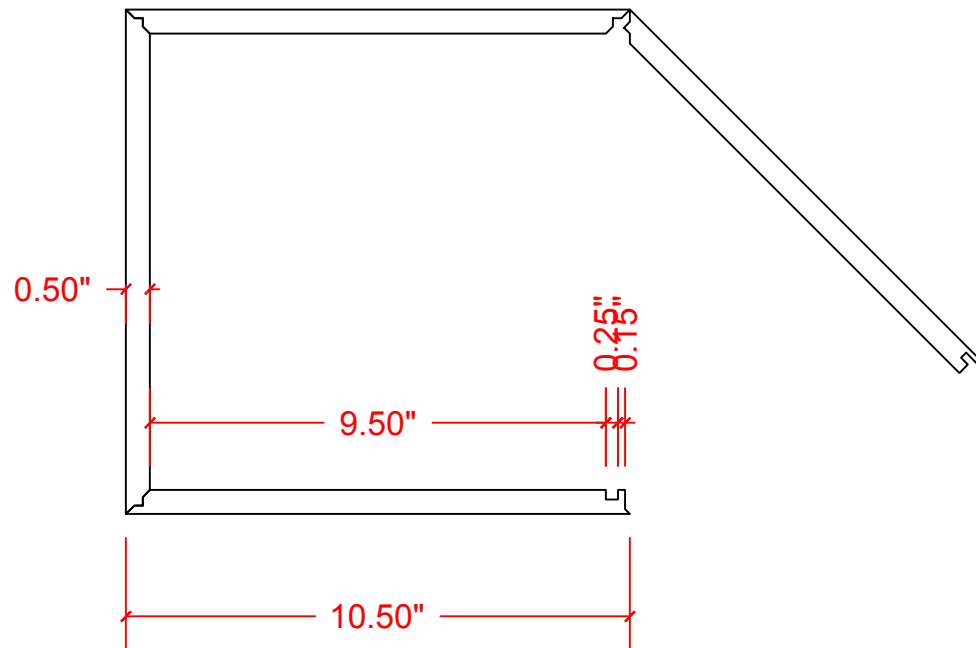


VERSATEX®

TRIM BOARD

TRIM SMARTER.

AVAILABLE IN 10" LENGTHS



VERSATEX Building Products, LLC
www.versatex.com
724.857.1111

NOMINAL 8" X 8" VERSAWRAP
ACCENT WRAP

Scale: 3"=1' ACTUAL INSIDE
9-1/2" X 9-1/2"

Part No. VWAW080810