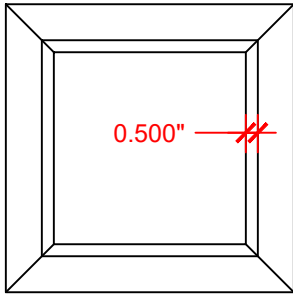
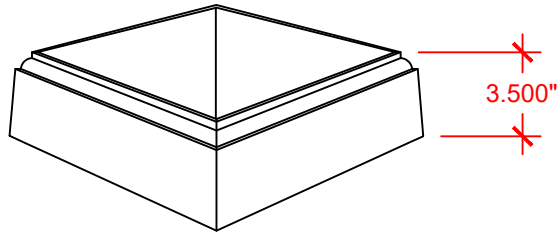


VERSATEX®

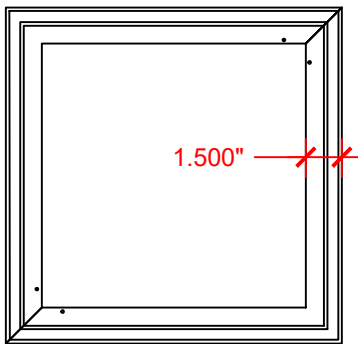
BUILDING PRODUCTS



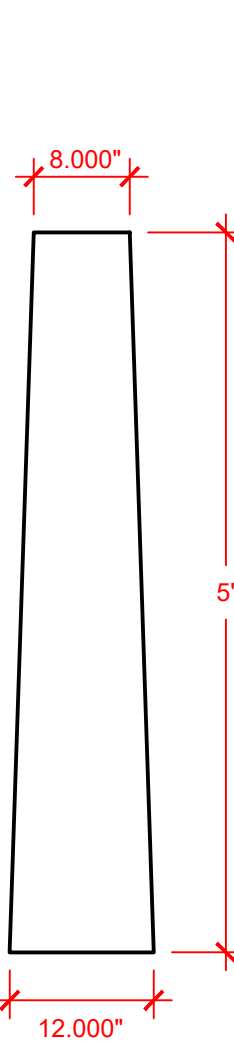
PLAN (TOP VIEW): 1 1/2" = 12"



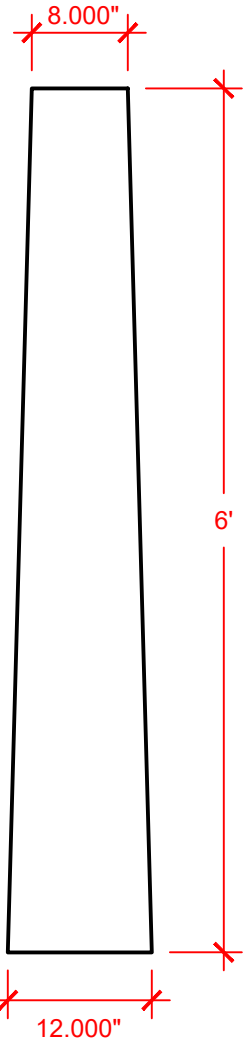
AXONOMETRIC: N.T.S.
SKIRT



PLAN / ELEVATION: 1 1/2" = 12"
SQUARING CORNERS



ELEVATION: 3/4" = 12"
PART NO. VWTP120805



ELEVATION: 3/4" = 12"
PART NO. VWTP120806

VERSATEX Building Products

www.versatex.com
724.857.1111

REV 7/24

12" BASE / 8" CAP TAPERED VERSAWRAP

Scale: 1 1/2" = 12"

Actual: 12" x 8"

Part NO. VWTP120805 / VWTP120806