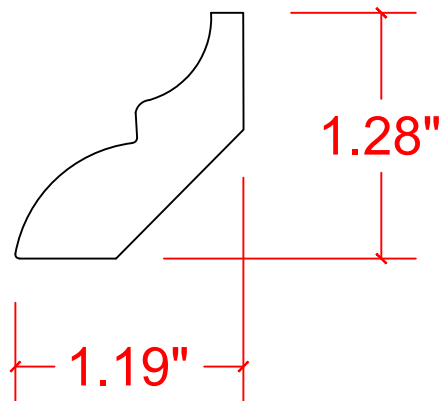


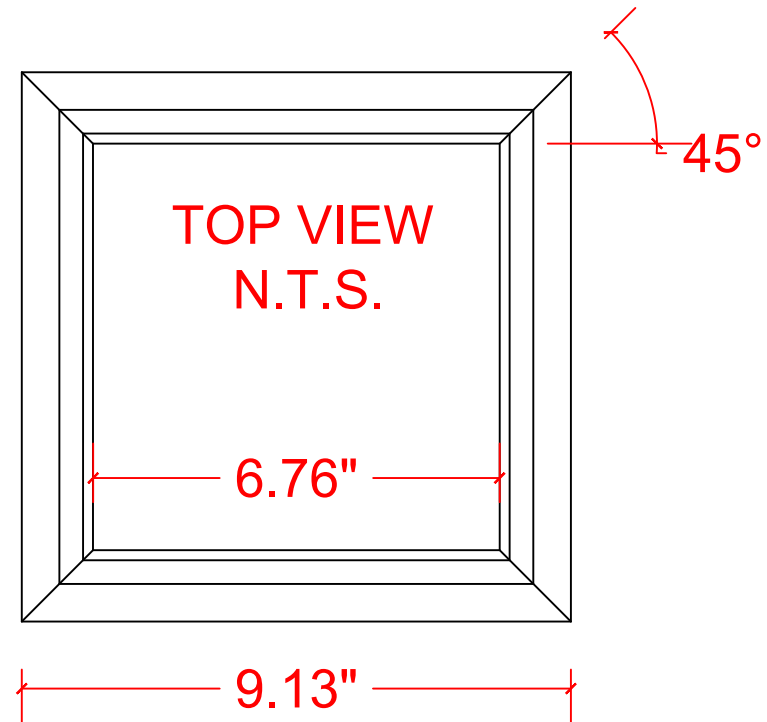
# VERSATEX®

TRIM BOARD

TRIM SMARTER.



NOTE:  
KIT CONSISTS OF:  
4- BED MOULDING PIECES AS SHOWN  
4- CONNECTORS



VERSATEX Building Products, LLC  
www.versatex.com  
724.857.1111

BED MOULD KIT FOR 6"  
VERSAWRAP

Scale: FULL

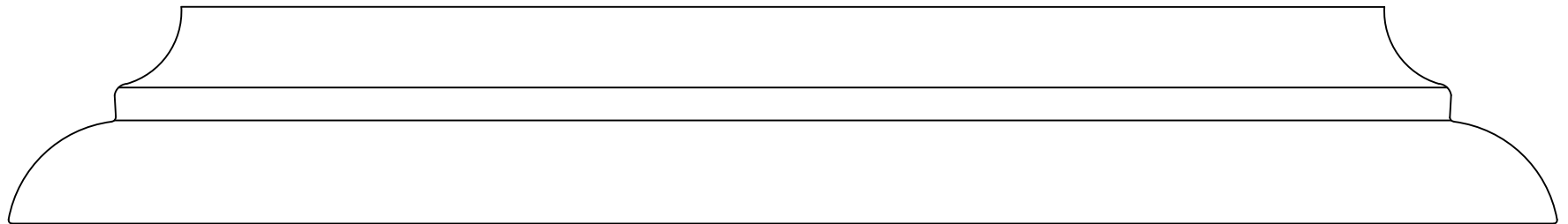
ACTUAL INSIDE  
6-3/4" X 6-3/4"

Part No. VM6"TRIMKITBED

# VERSATEX®

## TRIM BOARD

### TRIM SMARTER.



9.13"

**NOTE:**

**KIT CONSISTS OF:**

**4- BED MOULDING PIECES AS SHOWN**

**4- CONNECTORS**

VERSATEX Building Products, LLC

[www.versatex.com](http://www.versatex.com)

724.857.1111

BED MOULD KIT FOR 6"  
VERSAWRAP

Scale: FULL

ACTUAL INSIDE  
6-3/4" X 6-3/4"

Part No. VM6"TRIMKITBED