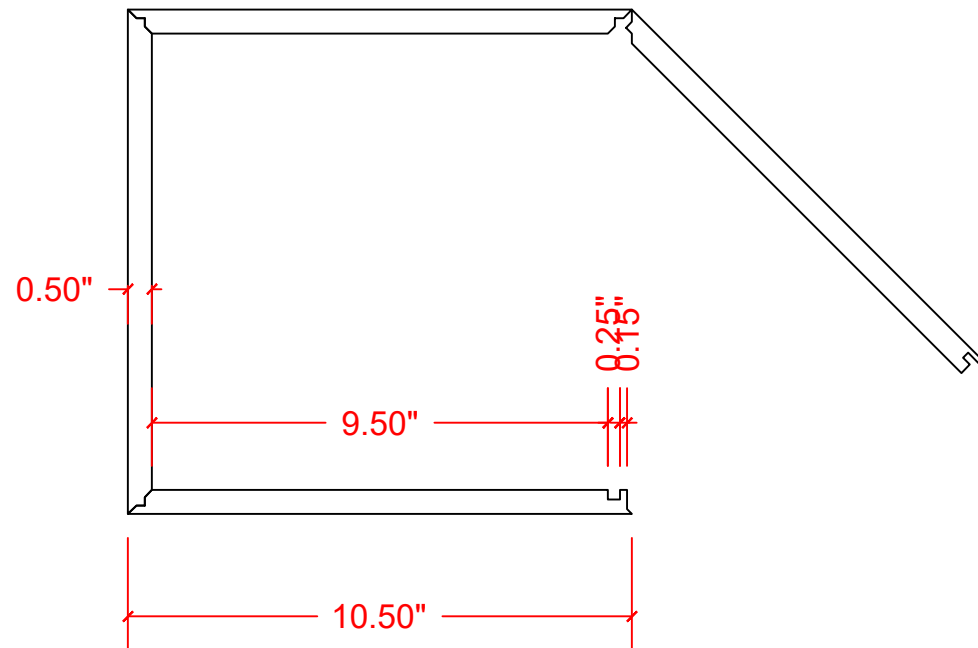


AVAILABLE IN 10" LENGTHS



VERSATEX Building Products  
www.versatex.com  
724.857.1111

NOMINAL 8" X 8" VERSAWRAP  
ACCENT WRAP

Scale: 3"=1' ACTUAL INSIDE  
9-1/2" X 9-1/2"

Part No. VWAW080810