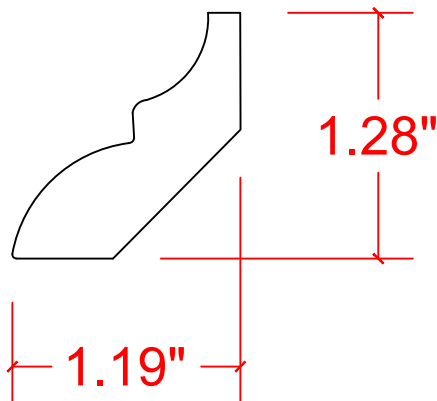


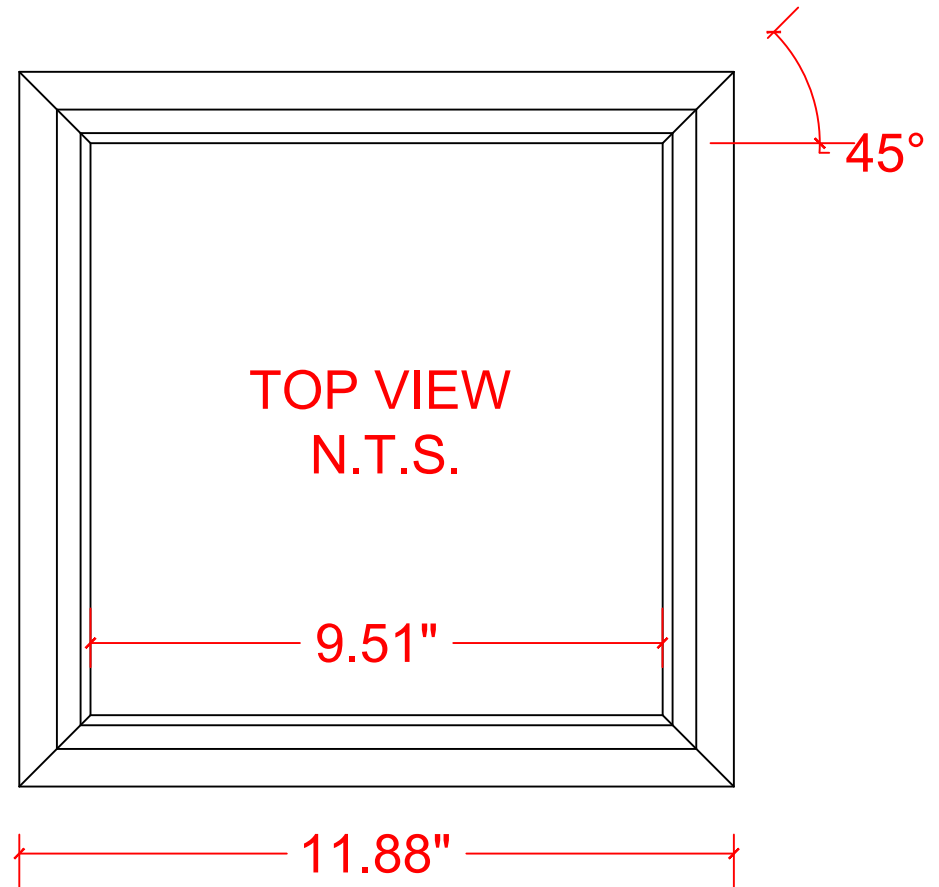
# VERSATEX®

TRIM BOARD

TRIM SMARTER.



NOTE:  
KIT CONSISTS OF:  
4- BED MOULDING PIECES AS SHOWN  
4- CONNECTORS



VERSATEX Building Products, LLC  
www.versatex.com  
724.857.1111

BED MOULD KIT FOR 8"  
VERSAWRAP

Scale: FULL

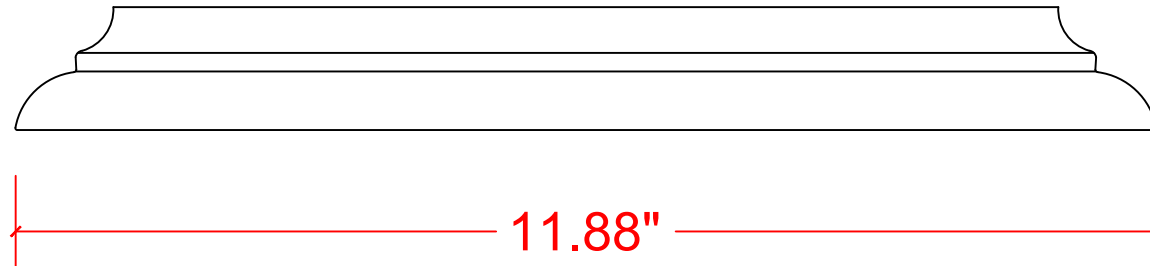
ACTUAL INSIDE  
9-1/2" X 9-1/2"

Part No. VM8"TRIMKITBED

# VERSATEX®

TRIM BOARD

TRIM SMARTER.



NOTE:  
KIT CONSISTS OF:  
4- BED MOULDING PIECES AS SHOWN  
4- CONNECTORS

VERSATEX Building Products, LLC  
www.versatex.com  
724.857.1111

BED MOULD KIT FOR 8"  
VERSAWRAP

Scale: 6" = 1'

ACTUAL INSIDE  
9-1/2" X 9-1/2"

Part No. VM8"TRIMKITBED