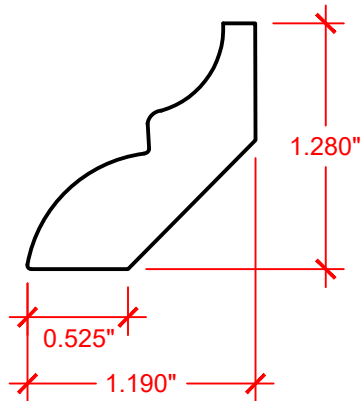


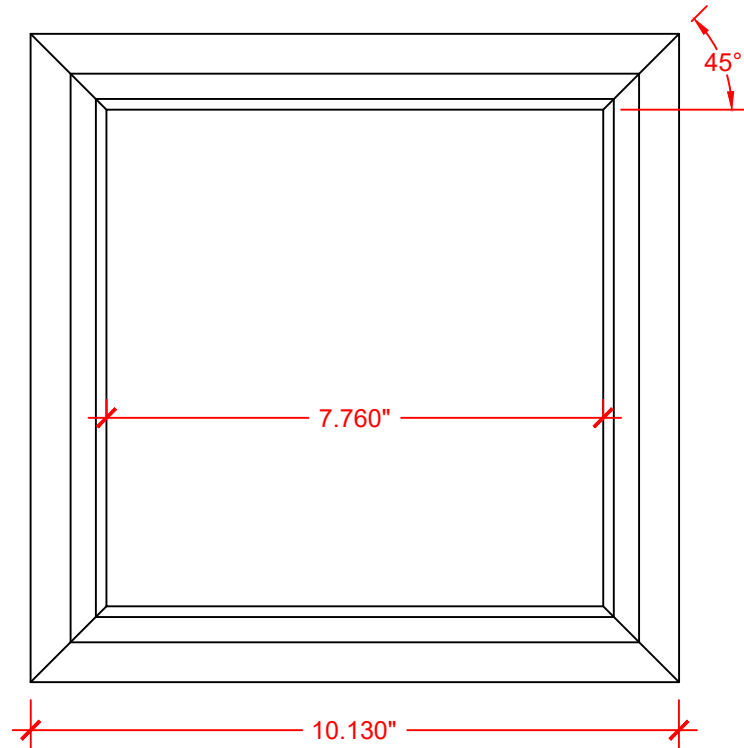
VERSATEX®

BUILDING PRODUCTS

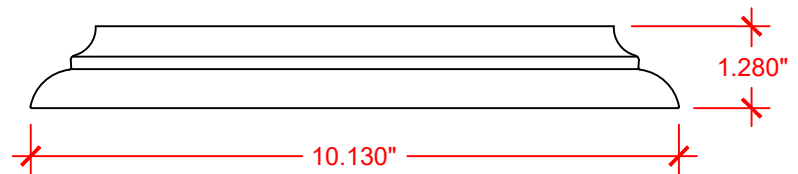
PROFILE: 1" = 1"



PLAN: 1" = 3"



ELEVATION: 1" = 3"



NOTE:
 KIT CONSISTS OF:
 4 - BED MOULDING PIECES AS SHOWN
 4 - CONNECTORS

VERSATEX Building Products

www.versatex.com
 724.857.1111

REV 7/24

BED MOULD XL KIT FOR 6" ACCENT WRAP

Scale: 1" = 1"

INSIDE DIM
 Actual: 7 3/4" X 7 3/4"

Part NO. VM6"TRIMKITBEDXL