

## WP4 Canvas Series Installation Guidelines

### VZClip Hidden Fastening

Always reference local building codes, use materials that comply with local building codes and meet VERSATEX Installation Recommendations.

Please refer to the installation guides and other resources on our website.

**CONTACT WITH SOLVENT-BASED ADHESIVES AND ACETONE WILL DAMAGE THE APPEARANCE OF CANVAS SERIES PRODUCTS! DO NOT USE IT FOR INSTALLATION.**

1. All VERSATEX Canvas Series products are to be handled like you would a stained piece of mahogany, walnut, or any other premium wood and not like dimensional lumber. Keep the product on a skid and covered until the time of installation. The laminate pieces should never be stored on the ground, asphalt, or any rough surface face down or in standing water. Boards should be removed from skids by lifting at both ends when possible. Friction between the laminate and the bare board may cause minor markings. See cleaning tips for removal methods.
2. Calculate how many boards it will take to cover the ceiling. Divide the width of the porch ceiling by the finished width of the WP4 to get the number of whole boards needed to cover the ceiling. If the last board is less than 2", trim the first and last board to create equally spaced "V" groove boards. VERSATEX recommends ordering 5% extra to cover waste or accidents.
3. Cut the WP4 to length and measure the depth of the porch front to back at the end where you will start installing the WP4. Subtract 1/2" from this measurement to account for the 1/4" gap you want to leave around the perimeter of the ceiling to allow for any expansion and contraction. A 4" Crown or Bed moulding will eventually cover this slight gap.

**NOTE:** If necessary, trim the first board to width, cutting off the tongue side of the WP4 and leaving the groove edge for the VZClip.

**TIP:** To avoid chipping, position the laminate wood texture face down for cutting and avoid high-speed settings.

4. Face fasten the first board roughly 1" from the edge of the board using a pneumatic gun and 2" 8d nails with annular threads or a #8 Screw, every 16" on center. This fastener will be covered later by a moulding or trim piece. For extra holding power and to minimize expansion and contraction, use a recommended adhesive on the backside of the canvas series where the boards cross a framing member.
5. All WP4 boards, including the first one, should be fastened every 16" on center with a VZClip and #8 Screw to achieve 1

- 1/4" penetration into the framing member. Slide the tongue of the next board into the groove of the previous board. If necessary, tap it tightly in place with a hammer and woodblock. *(For Coastal and/or humid environments, VERSATEX recommends our Stainless Steel VZClip with a Stainless Steel #8 Screw)*

6. For runs longer than 18', cut a bevel or shiplap joint into the end of the WP4. Leave a 1/8" gap when installing WP4 at temperatures below 40°F. Consider a T-Mould, faux beam, or coffered ceiling to hide the butt ends of the WP4. In a run of two boards or more, the first and last board should be face nailed with two 2"- 8d nails with annular threads within 1" of the edge to limit expansion and contraction. These nails will be covered by a perimeter moulding. Use a VERSATEX recommended PVC glue to join two pieces where a bevel or shiplap joint was created. This allows the boards to expand/contract as on one unit and not individual boards.
7. Finish installing WP4 over the ceiling. If necessary, trim the final board from the groove side. Face fasten the first board roughly 1" from the edge of the board using a pneumatic gun and 2" 8d nails with annular threads or a #8 Screw, every 16" on center. Prior to fastening, ensure this fastener will be covered later by the moulding or trim piece of your choice.
8. Install Canvas Series Mouldings (4" Crown or bed mould) around the perimeter of the ceiling, making sure the moulding covers the 1/4" perimeter gap and fastener.
9. Use VERSATEX matching end cut coating applicator for cut boards and a wax stick (nail hole filler) to cover exposed fastener holes. Be sure to keep glue surfaces clear from color matched stains, this will inhibit glue adhesion.

### Cleaning Canvas Series

Wipe the material with a mild cleaning agent or the recommended cleaner, Cosmofen 20 (CL-300.140 by Weiss), and a soft cloth.

### Recommended Sealants

Bostik PRO-MS 50

- One component, low modulus, solvent free Silyl Modified Polyether Sealant. It demonstrates hybrid sealant properties such as color stability and long-lasting elastomeric qualities. (Bostik Inc, 11320 W Watertown Plank Rd, Wauwatosa, WI 53226. Phone: 847-712-2209) [BOSTIK PRO MS 50](#)

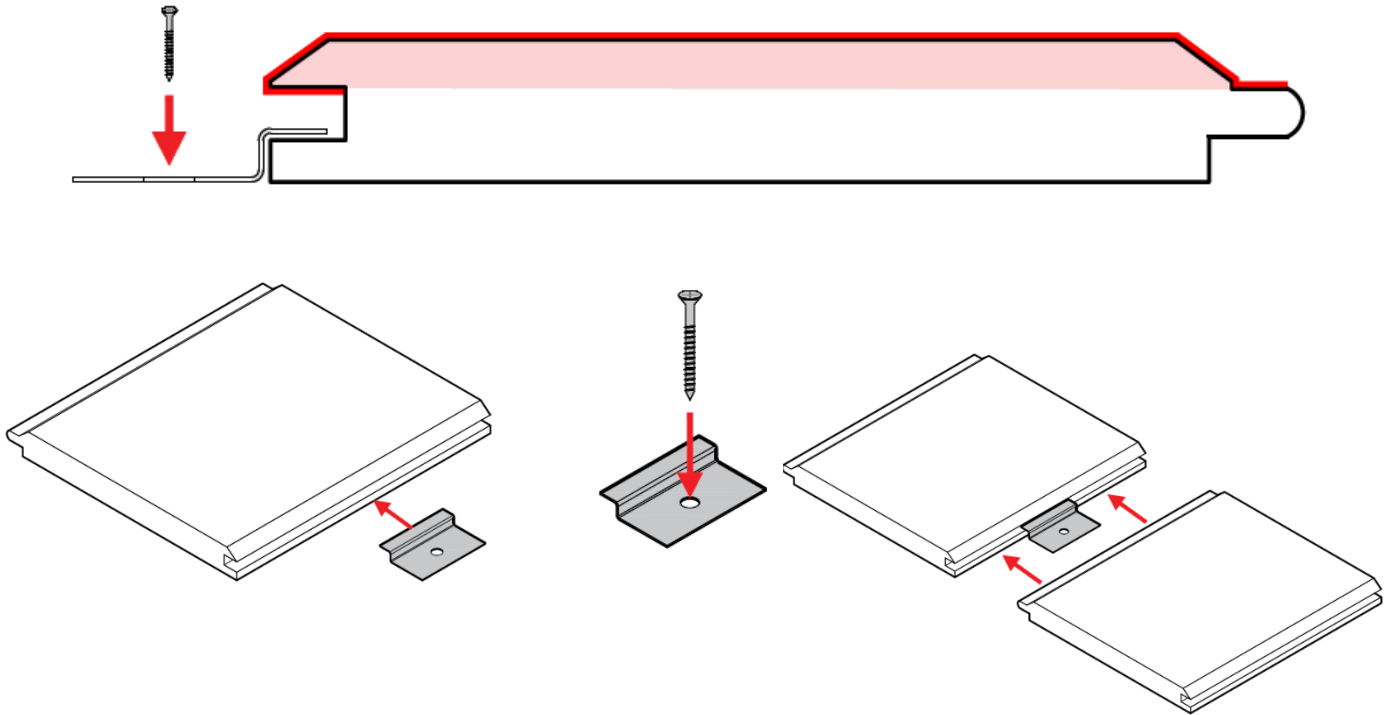
**WARNING:** DO NOT use abrasive scrub pads like Scotch Brite pads, pumiced-based cleaners, or any solvent like acetone and toluene! They will break down the laminates and dull the surface.

As with any ceiling application, ensure any space above the ceiling is adequately ventilated to prevent heat buildup.

VERSATEX Canvas Series can be used both vertically and horizontally for accent walls in the right application. Please consult VERSATEX Engineering before installation at: 724.857.1111

VERSATEX Trim and VERSATEX Mouldings may not be suitable for every application, and it is the sole responsibility of the installer to be sure that VERSATEX Trim and Mouldings are fit for the intended use. Since all installations are unique, it is also the installer's responsibility to determine specific requirements regarding each trim and moulding application.

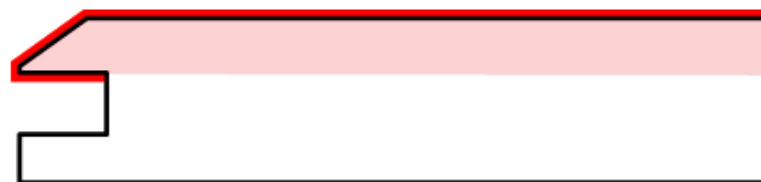
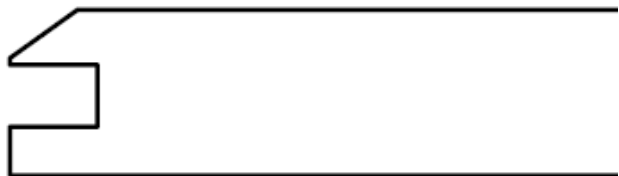
**Install Diagram for VZClip Hidden Fastening**



**Application of Color Match End Coat**

Apply Color Matched End Coat to the first 1/4 to 1/3 of the visible face (Light RED Color in Diagram). This allows for adequate surface bonding via PVC glue while eliminating visible white lines once installed.

**NOTE:** If color matched end coat makes contact with the laminate surface, clean immediately with a recommended cleaner (listed above). Allowing color matched end coat to dry before cleaning may result in permanent discoloration.



Dark Red: Laminate  
Light Red: Color Matched End Coat

